

JD Air Parts Full Swivel Tail Wheel Assembly

Visit www.JDair.com or contact us for replacement parts and technical support.

Notes:

1. Apply grease to indicated parts.
2. The roller bearing should only be used with the JD Air Tail Fork.
3. Install Roller bearing or bushing first by lightly pressing into the yoke completely. Then install the Sleeve and Ball Bearing.
4. Make certain the Yoke mounting bolts install firmly through the Yoke and tail spring. A loose fit of the bolts, yoke, and tail spring can cause a failure of the mounting bolts.

Elastic Stop Nut, Thin
AN364-820A

Custom 1/2" Belleville Washer

Adjustable Single Control Arm for use with Tail Link

This side down.
Adjust nut to remove play from control arm.

Double Control Arm for use with Dual Tail Springs only (optional)

2X Bolt
AN3-12A
*NOTE 4

2X Washer
AN960-10
2X Elastic Nut
AN365-1032A

Spring, Locking Pin
*NOTE-1

Castle Nut
AN310-6

Flat Washer
AN960-616

Tail Wheel Yoke

*NOTES
1,2,3

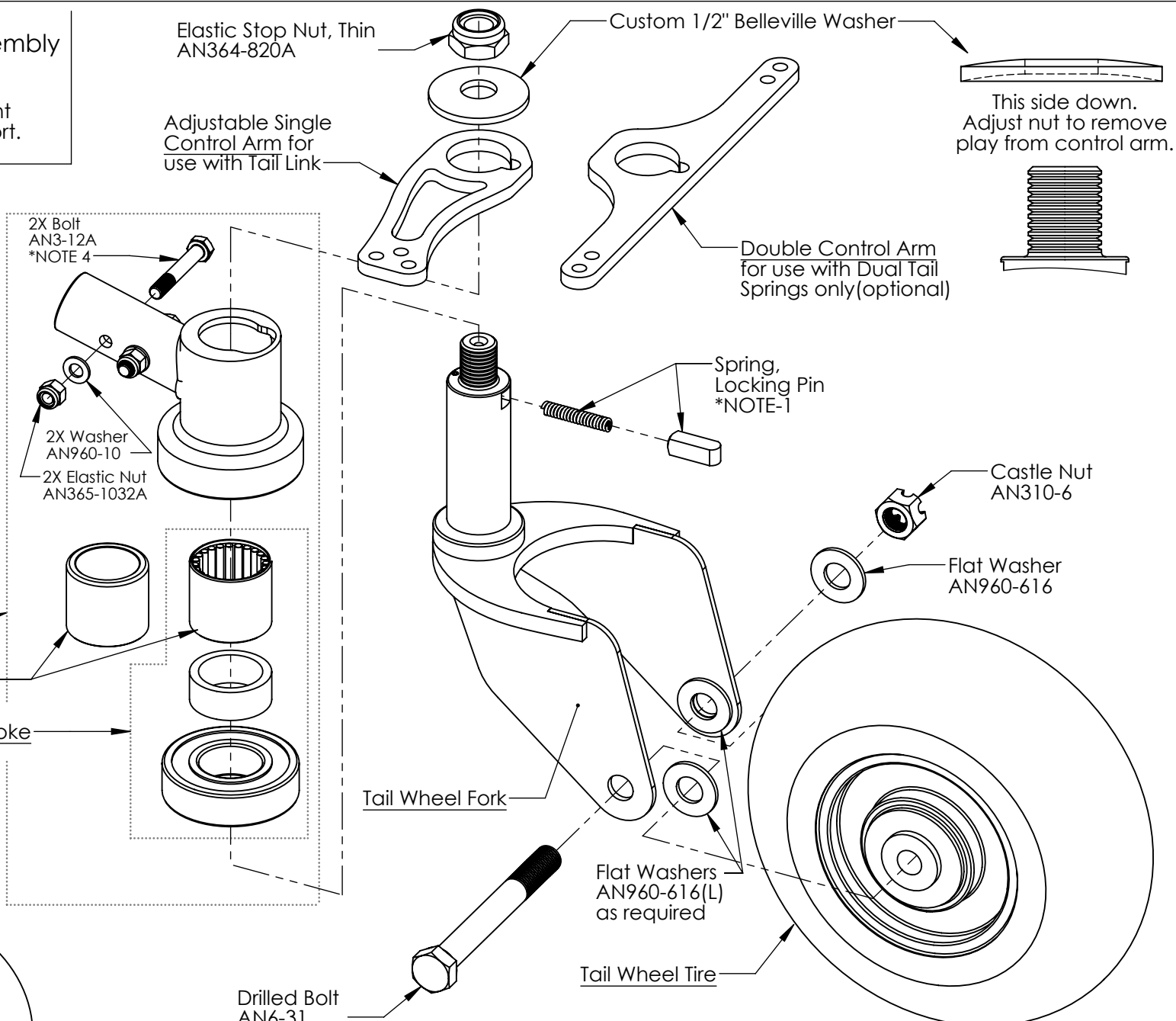
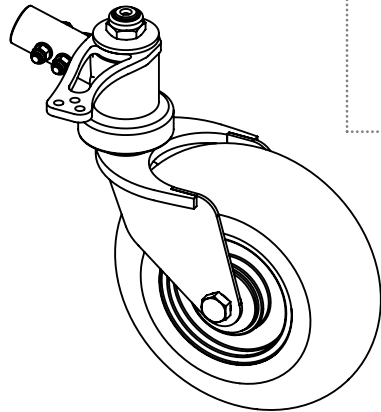
Bearing Set, Yoke

Tail Wheel Fork

Flat Washers
AN960-616(L)
as required

Tail Wheel Tire

Drilled Bolt
AN6-31



UNLESS OTHERWISE SPECIFIED:
DIMENSIONS ARE IN INCHES

ASSEMBLY METHOD:
LIGHT PRESS FIT

SIZE

A

TAILWHEEL YOKE/FORK ASSY

REV

FILE NAME:
TW YOKE ASSM